

Product Overview

Dialight LumiDrives



MicroDriver™ 9-SC ~ LED Power Driver

The **MicroDriver™ 9-SC** LED Power Driver is ideal for driving high power 1W or 3W LEDs from a 110V-240V AC supply in a host of applications. The compact and efficient power electronics ensure optimum operation of LEDs through a highly stable constant current output.

Designed for driving 9 x 1W LEDs at 350mA or 4 x 3W LEDs at 700mA with maximum reliability and long service life, the **MicroDriver™ 9-SC** will work in ambient temperatures of up to 45°C. Beyond this range a thermal shut down circuit will operate to protect the driver and the connected LEDs.

The low profile enclosure incorporates integral cable grips and terminal cover enabling the unit to be directly used in ceiling voids or other internal exposed applications.

Bringing Innovation to Light

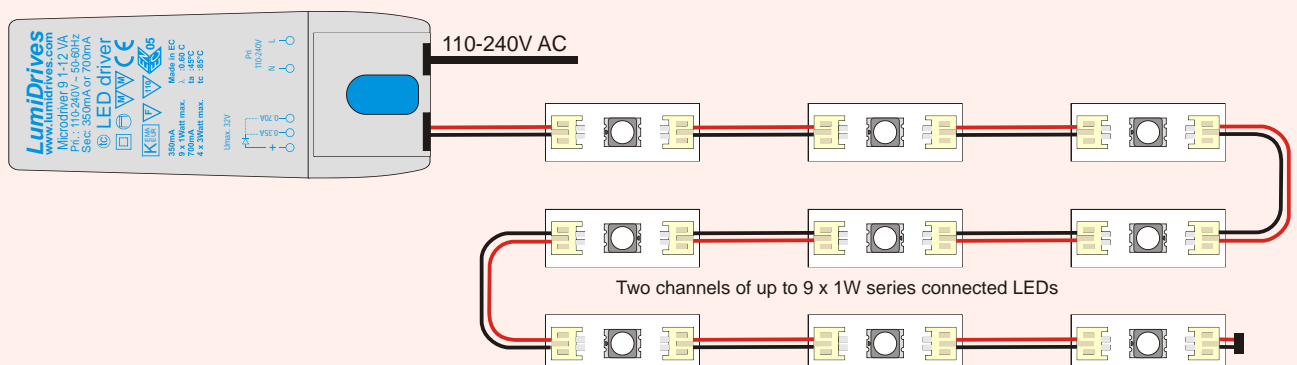


FEATURES

- Energy efficient switch mode power electronics*
- Short and open circuit protected*
- Fully isolated output*
- Rugged design with terminal cover & cable grip*
- Meets lighting approbation requirements (CE & ENEC)*
- Can be integral with fixtures or remote mounted*
- Over-Voltage Protection*
- Resetting Thermal Shutdown*

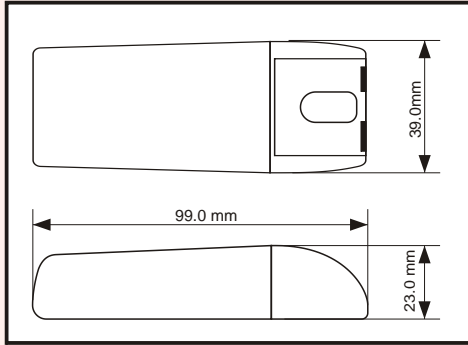
APPLICATIONS

- ⚙ *Architectural lighting*
- ⚙ *Marker & Orientation lights*
- ⚙ *Reading Lamps*
- ⚙ *Cove & Cornice Lighting*
- ⚙ *Display Cases*
- ⚙ *Spot Lights*
- ⚙ *Signage*
- ⚙ *Fibre Optic systems*



MicroDriver™ 9-SC - Typical connection

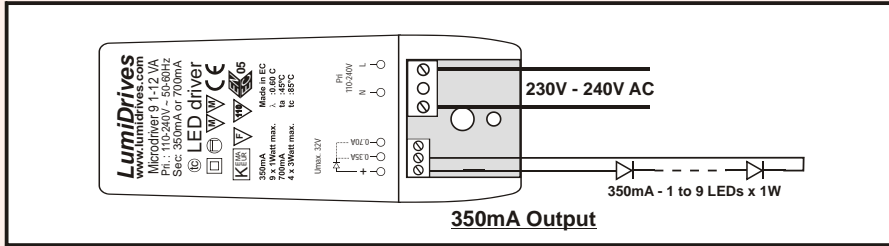
Dimensions



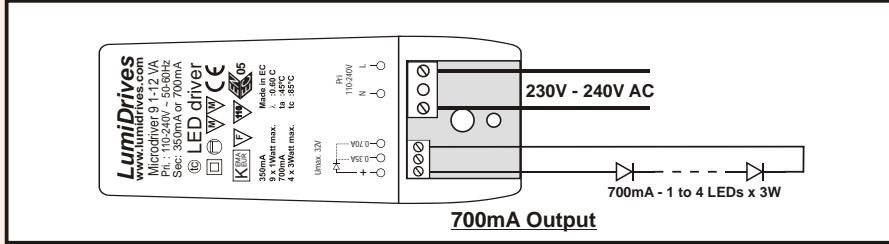
Mechanical

Dimensions L99 x W39 x H23
 Weight 70 g.
 AC Input Screw Terminals
 LED Output Screw Terminals
 Mounting Single 3.0mm fixing hole.

Connection Configuration - 1 x 9 LEDs (350mA)



Connection Configuration - 1 x 4 LEDs (700mA)



Electrical

Input Voltage Range	(V_{in})	110V - 240V AC
Frequency	(f)	50 / 60 Hz
Power Consumption	(P_{in})	1 - 20 W
Efficiency	(η)	70% - 80% typical
Insulation		Double-Insulated
Power Output Range	(P_{och})	1.2 - 10.8 W
Output Current	(I_o)	350mA / 700mA \pm 7.5%
Output Voltage	(V_o)	4 - 32 V DC
Open Circuit Voltage	(V_{oc})	33V DC
Ripple Voltage	(V_r)	300mV pk-pk
Protection		Thermal Overload Overvoltage Short Circuit Open Circuit

Environmental

Operating Ambient Temperature	(T_{op})	-20°C to +45°C
Ambient Storage Temperature	(T_{st})	-20°C to +80°C
Case Temperature	(T_c)	<+85°C
Lifetime (failures after 50,000 hours)	(L_{50k})	5%
IP Rating		IP30

Terminations Access



Easily Removable Cover



Input and Output Screw Terminations

Part Number

MDU9-SC-35/70

MicroDriver™ 9 SC

9 LEDs @ 350mA / 4 LEDs @ 700mA

Notes:

© 2006 LumiDrives Ltd. LumiDrives, the LumiDrives logo, MicroDriver, ColourDriver, LinkLED, Lifesaver and Liquid Lens are registered trademarks. All other brand or product names are trademarks of their respective owners. Specifications subject to change without notice. Patents Pending.